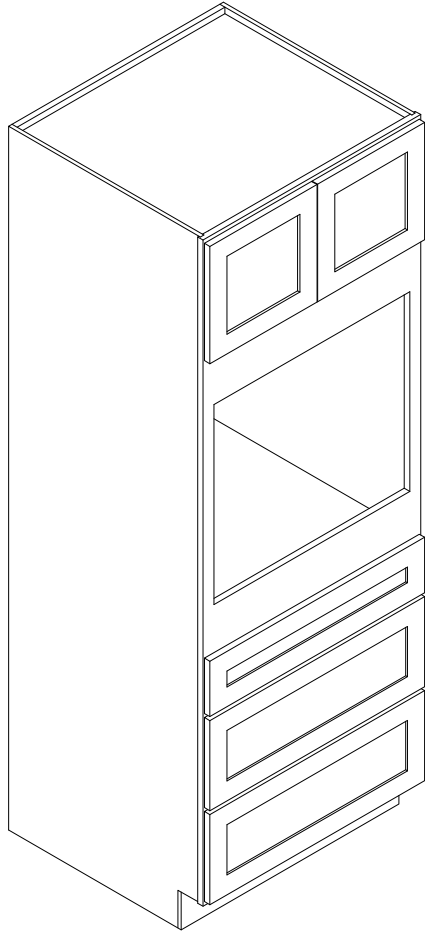


ASSEMBLY INSTRUCTIONS

OC308424/OC309024/OC309624

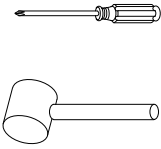


Parts list

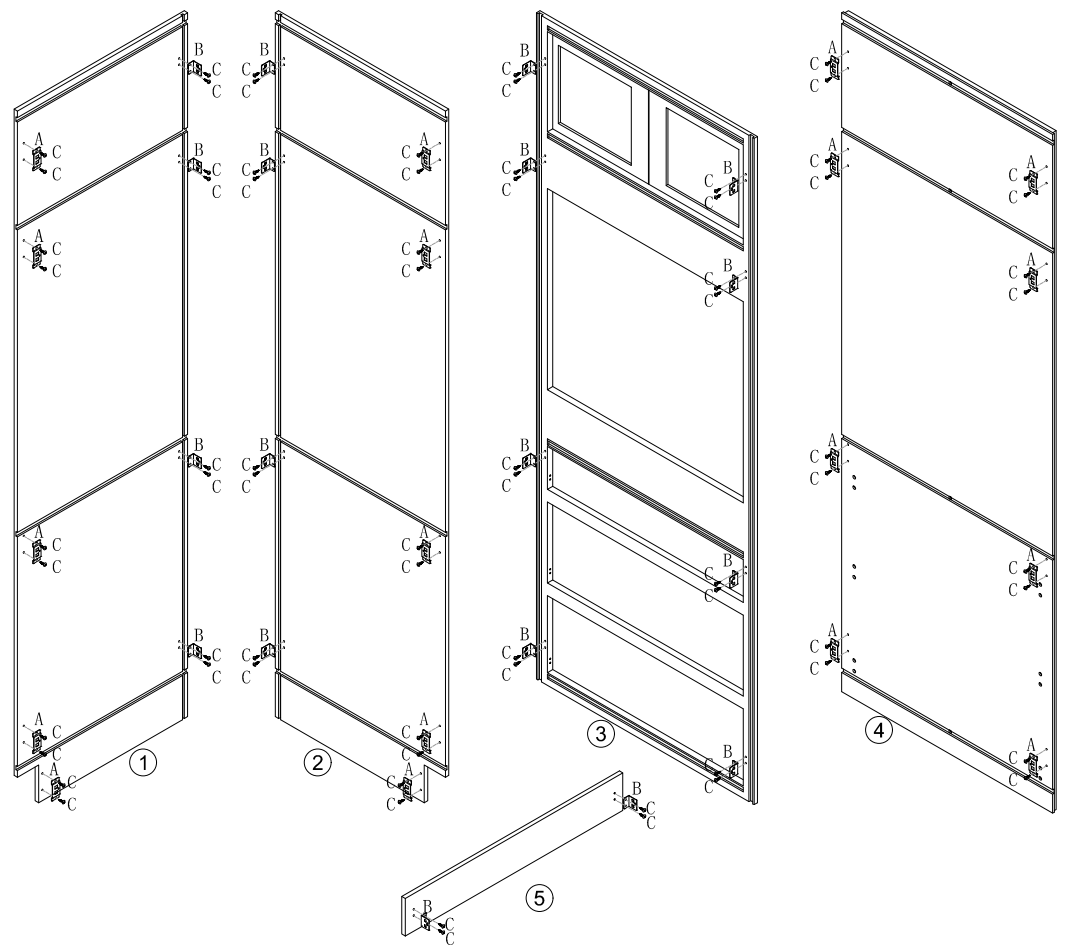
NO.	Parts	QTY
A		18
B		18
C		90
D		4

NO.	Parts	QTY
E		3

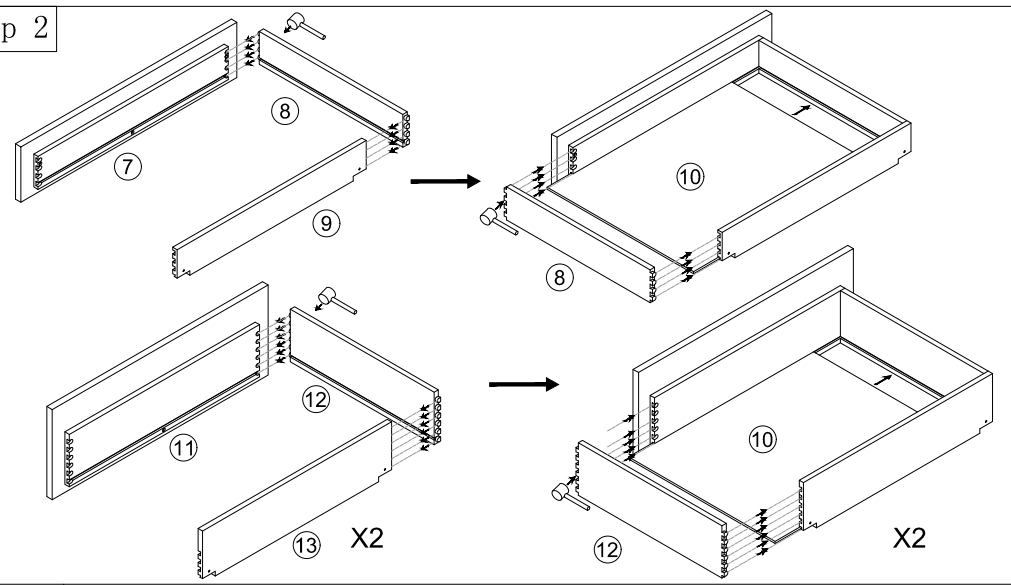
Tools (required but not provided)



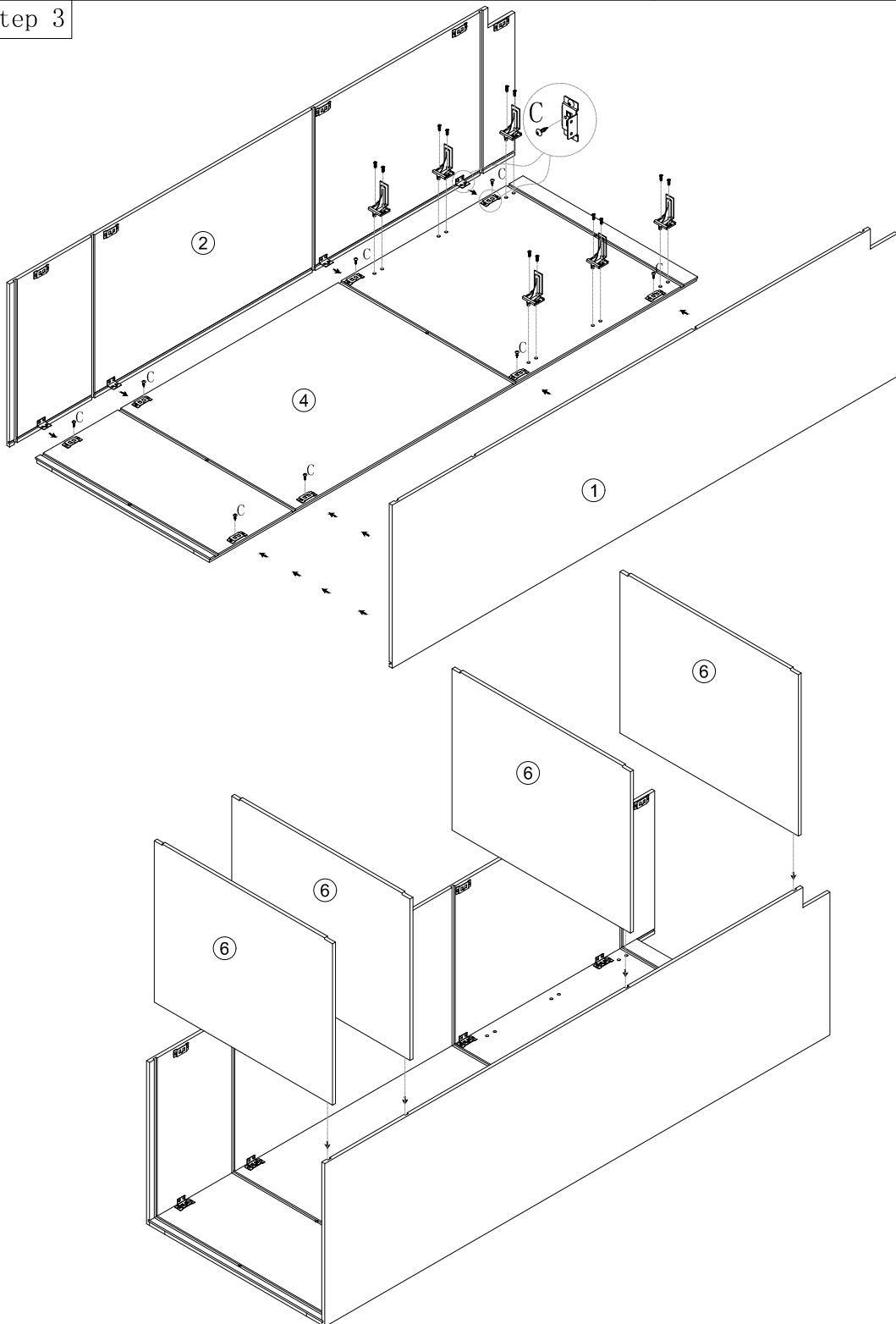
Step 1



Step 2



Step 3



Step 4

